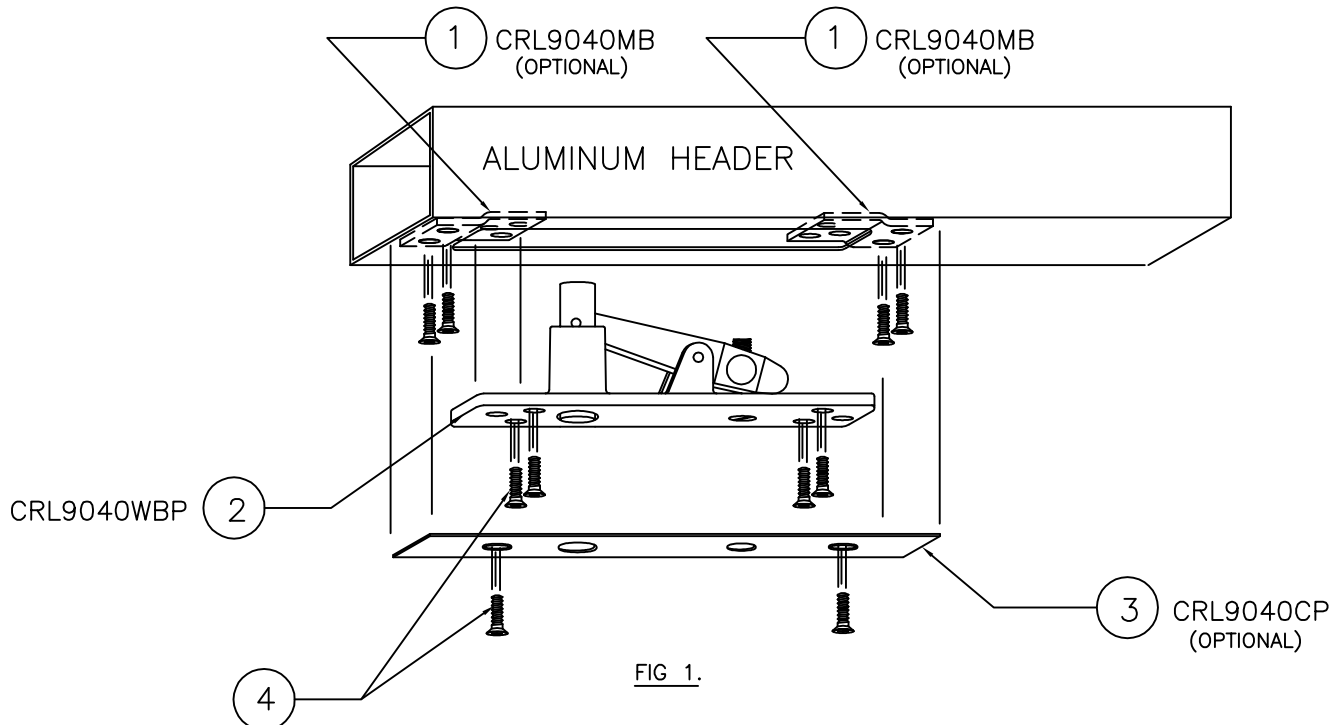


CRL9040WBP WALKING BEAM PIVOT INSTALLATION INSTRUCTIONS



1. ESTABLISH POSITION OF WALKING BEAM PIVOT IN HEAD RAIL.
(FOR 1/8" CLEARANCE, DISTANCE FROM JAMB TO C/L OF PIVOT IS 2.3/4")
2. CUT OUT SLOT AND DRILL HOLES AS SHOWN IN FIG 2 BELOW.
3. LOCATE BRACKETS ① INTO HEAD RAIL AS SHOWN IN FIG 1, AND SECURE WITH SCREWS ④ PROVIDED.
4. INSERT MAIN BODY OF PIVOT ② INTO SLOT AND SECURE WITH SCREWS ④ PROVIDED.
5. SECURE COVER PLATE ③ WITH SCREWS ④ PROVIDED.

